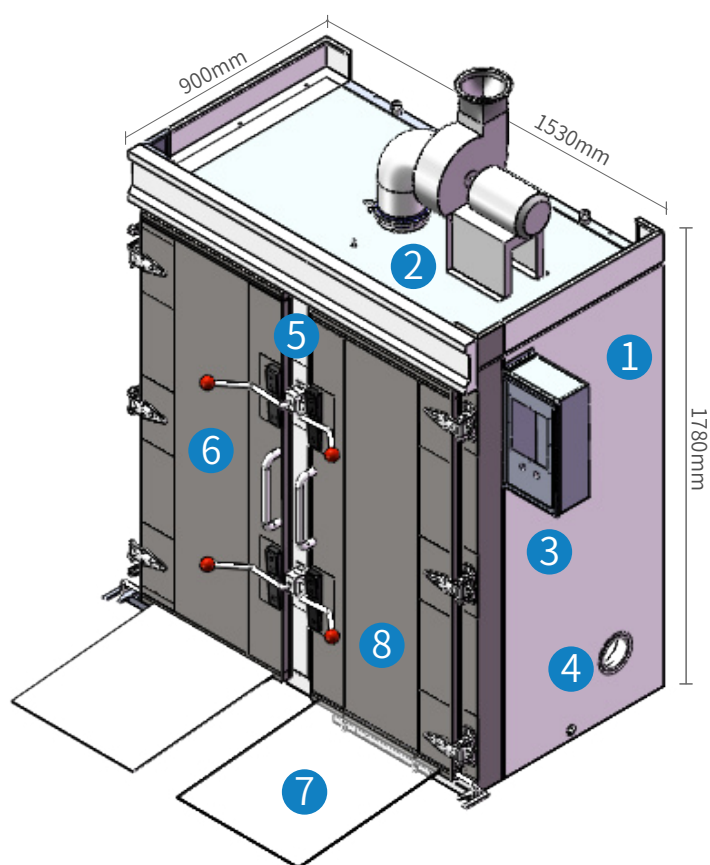


Product Specification

Product Main Feature

Double Door Roll-in Steamer



- ① SUS 304
- ② Energy Saving
- ③ Microcomputer Control
- ④ Eco Friendly
- ⑤ Steam Direct Heating
- ⑥ Large Capacity
- ⑦ Durable
- ⑧ Long Service Life

Product Standard

Capacity	32 trays (tray size :600*400*50mm)		
Steam rice capacity	128 kg	Number of applicants	320 people
Bun capacity	768 buns	Number of applicants	256 people
Lunch box capacity	9 boxes (box size :190*130*70mm)	Number of applicants	288 people
Heating method	Electric unit / Gas unit	Plug or not	No
Power & voltage	380V/1.1KW/50Hz		
Size (L*W*H)	1530mm*900mm*1780mm		
Method of adding water	Automatic water inlet		
Power off mode	Automatic power off		
Prevent dry burning	Yes		

Estimate Steam Cooking Time



Rice 30-40 mins



Meat bun 10-15 mins



Steam bread 8-15 mins



Seafood 8-10 mins



Lunch box 10 mins

Note: the above time is only for reference, and the specific time is subject to the experience of many tests in the actual steaming process. Set appropriate times for different products to keep the food at its best!

Alibaba: <https://tong-heng.en.alibaba.com/>

Google: <https://www.cn-tongheng.com/>

YouTube: <https://www.youtube.com/@TonghengSteamer>

